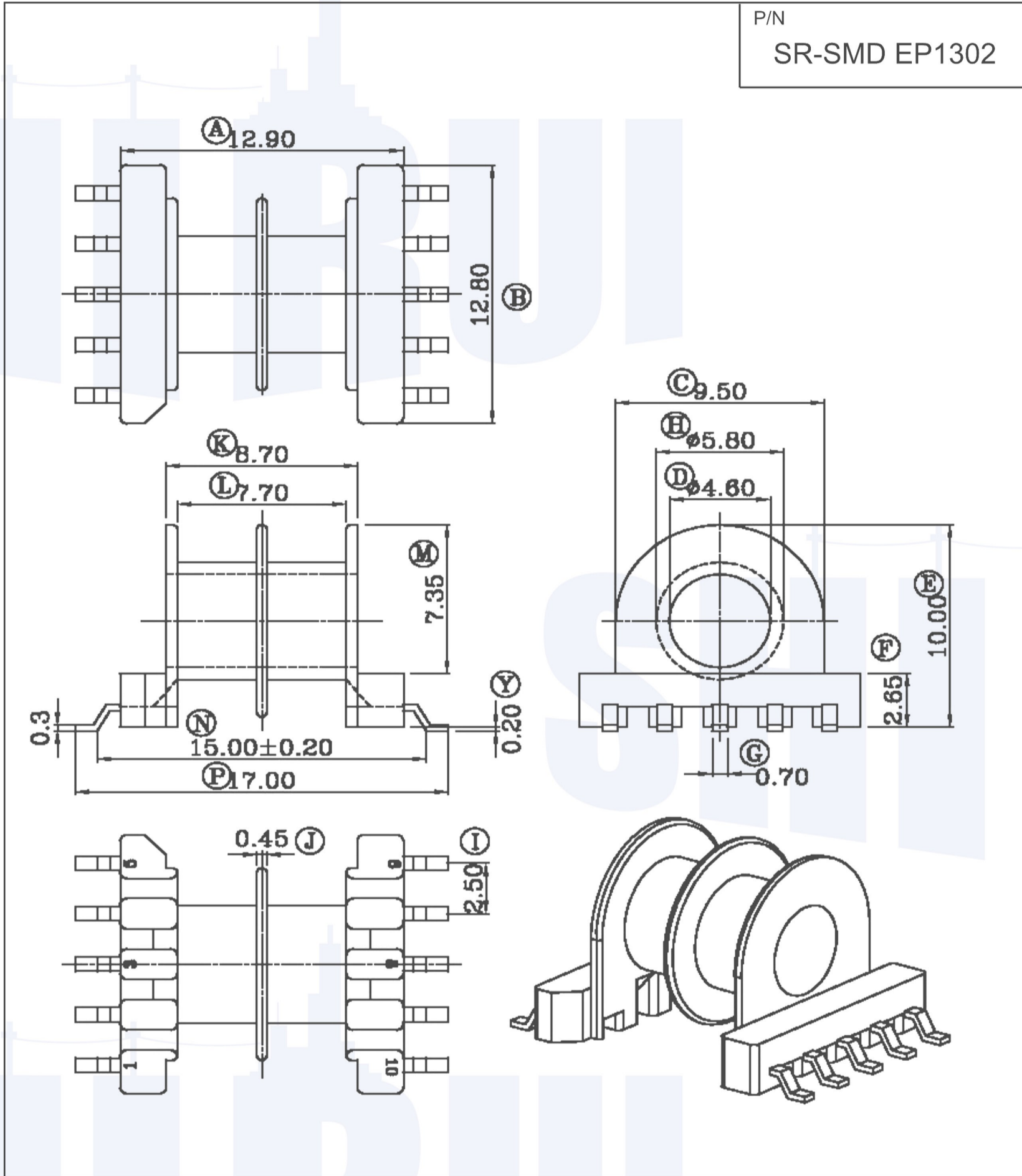


P/N
SR-SMD EP1302



Hefei Shirui Electronic Technology Co.,Ltd

SR NO. SR-SMD EP1302	MATERIAL: LCP	UNIT: mm	TOLERANCE	DRN.	WILL H
MODEL NAME: SMD-EP13-10P-2S	UL REC: UL 94V-0		0 < L ≤ 4 ±0.10	CHD.	IRINA LEE
	ANGLE: ± °		4 < L ≤ 16 ±0.20	ISSD.	JAMES HU
	SCALE 1:1		16 < L ≤ 64 ±0.30		
			PIN PITCH ±0.05		